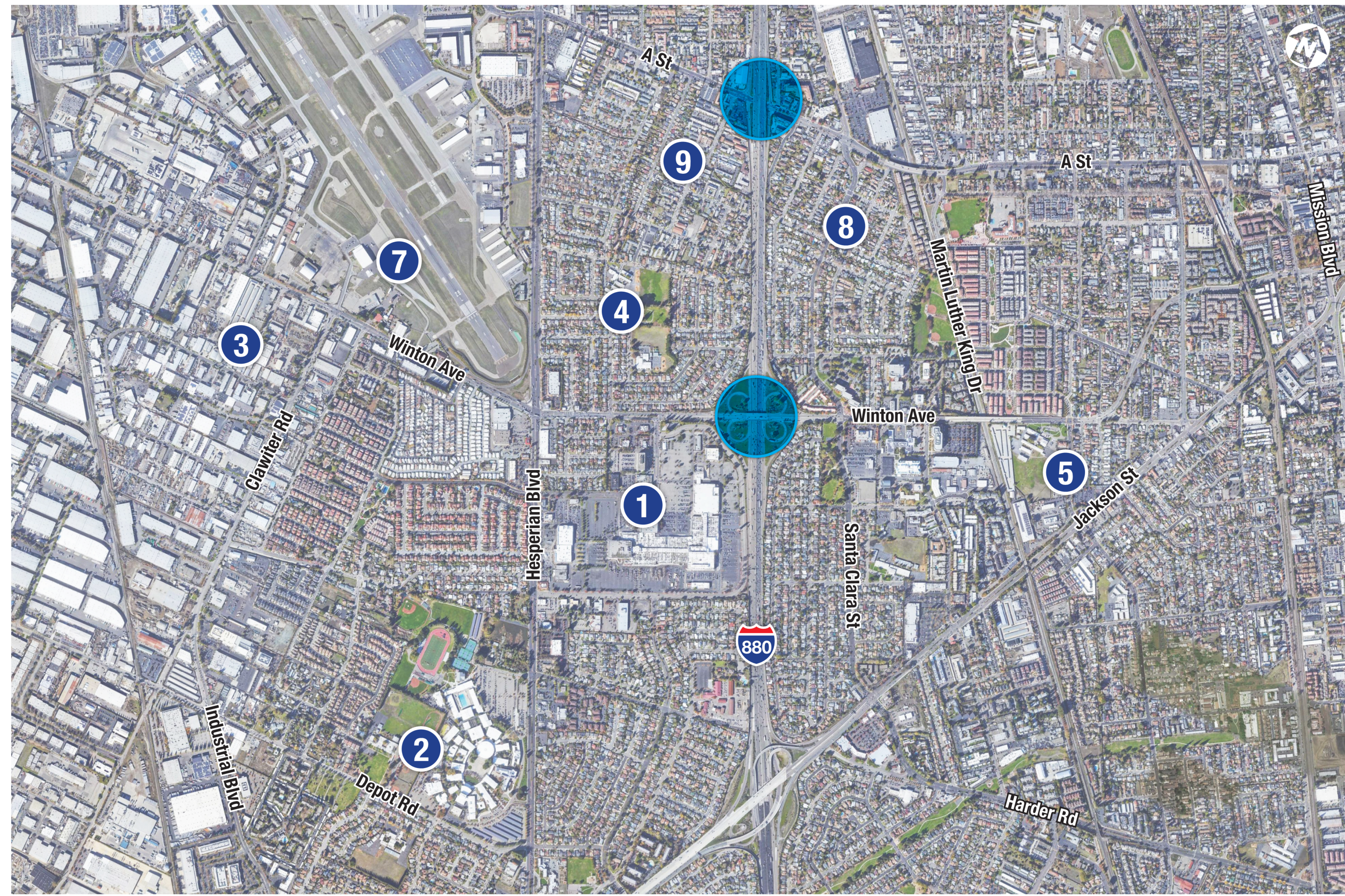


I-880 Interchange Improvements at Winton Avenue and A Street

Project Purpose and Need

Purpose:

- Improve multimodal access at both interchanges
- Improve operations at both interchanges
- Improve accessibility to Southland Mall at Winton Avenue
- Improve traffic operations and safety at A Street interchange



Need:

- Inadequate multimodal facilities at both interchanges
- Winton Avenue interchange operates at over capacity
- Constrained access to Southland Mall at Winton Avenue interchange
- Congestion and long queues at A Street interchange

1. Southland Mall
2. Chabot College
3. Industrial Technology and Innovation Corridor
4. Winton Grove Neighborhood

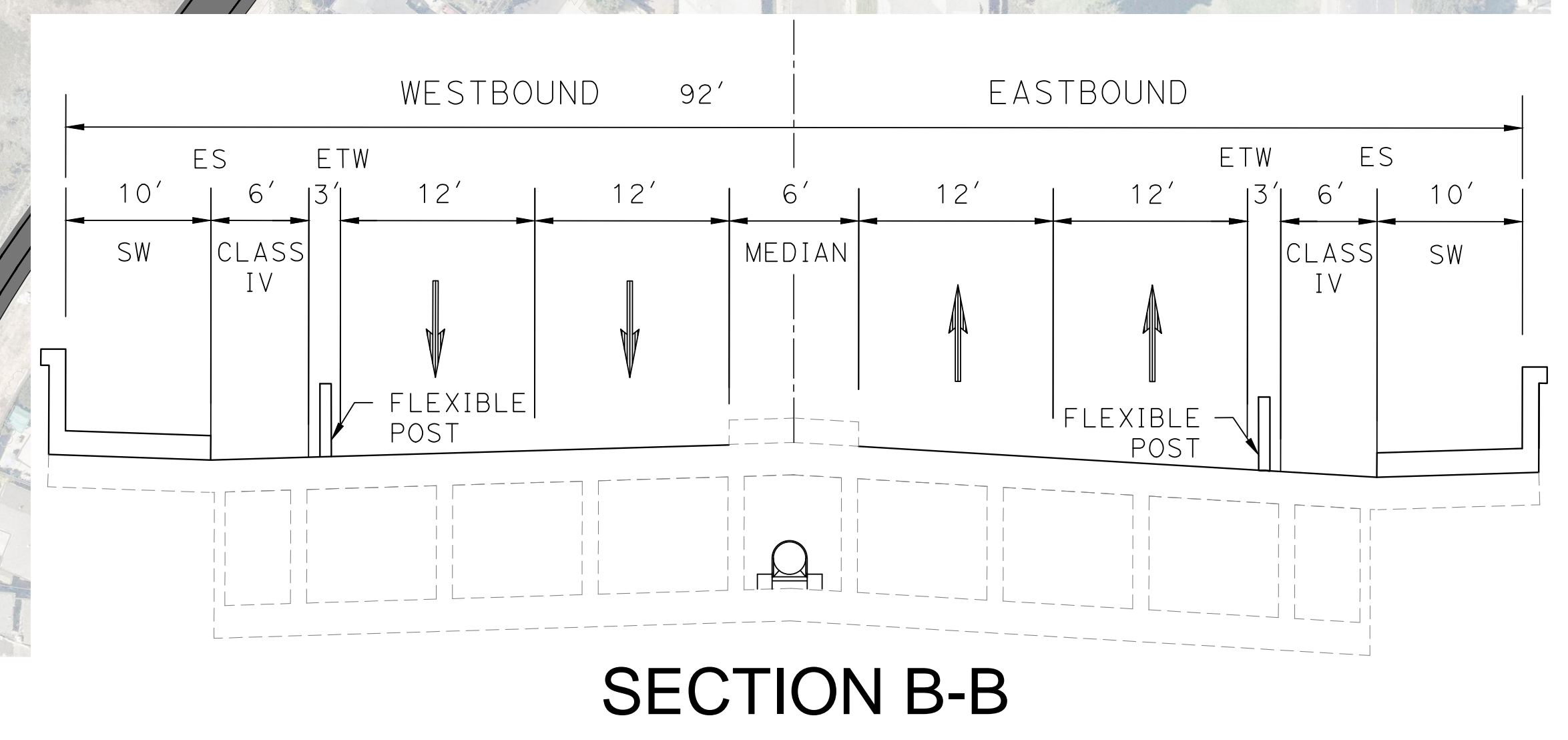
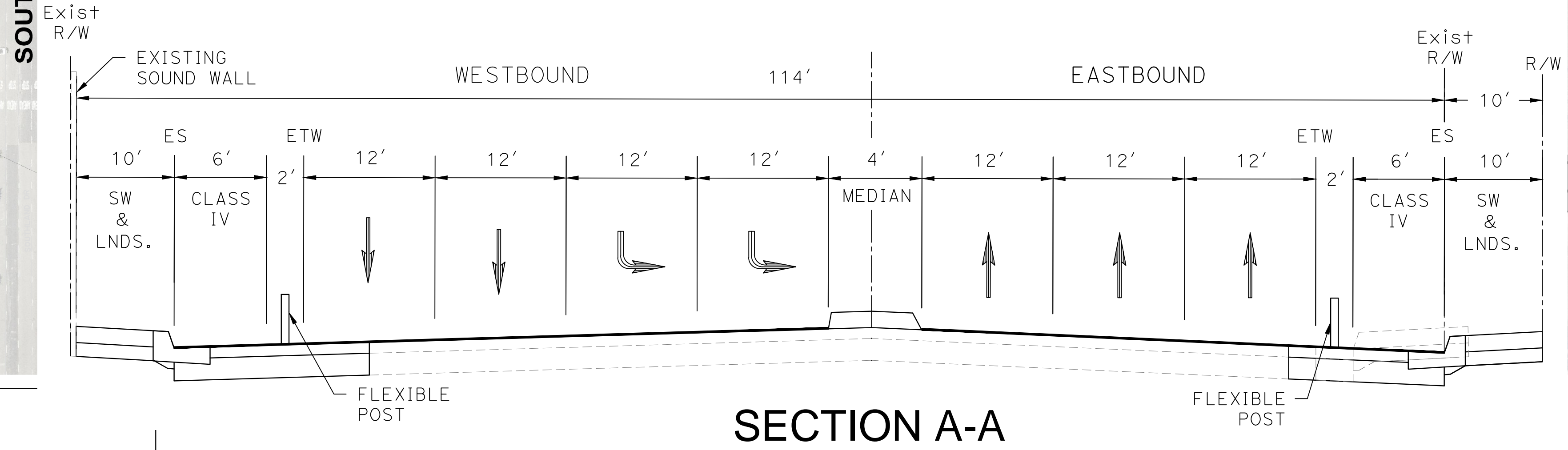
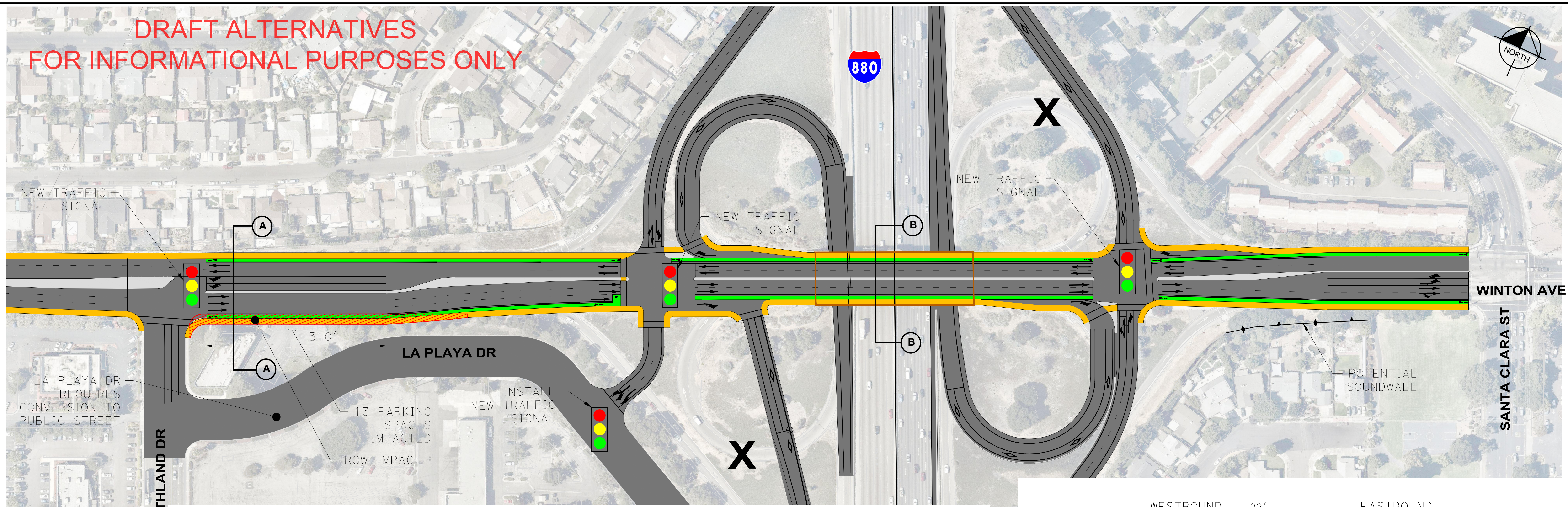
5. Winton Middle School
6. California State University, East Bay (not shown)
7. Hayward Executive Airport

8. Commercial
9. High Density Residential



I-880 Interchange Improvements at Winton Avenue and A Street

DRAFT ALTERNATIVES FOR INFORMATIONAL PURPOSES ONLY



- LEGEND**
- SIDEWALK
 - BIKE FACILITY
 - NEW CONC. MEDIAN/ISLAND
 - PAVEMENT OVERLAY/WIDENING
 - RIGHT OF WAY IMPACT
 - EXISTING BRIDGE LIMITS
 - SOUNDWALL
 - X RAMPS TO BE DEMOLISHED

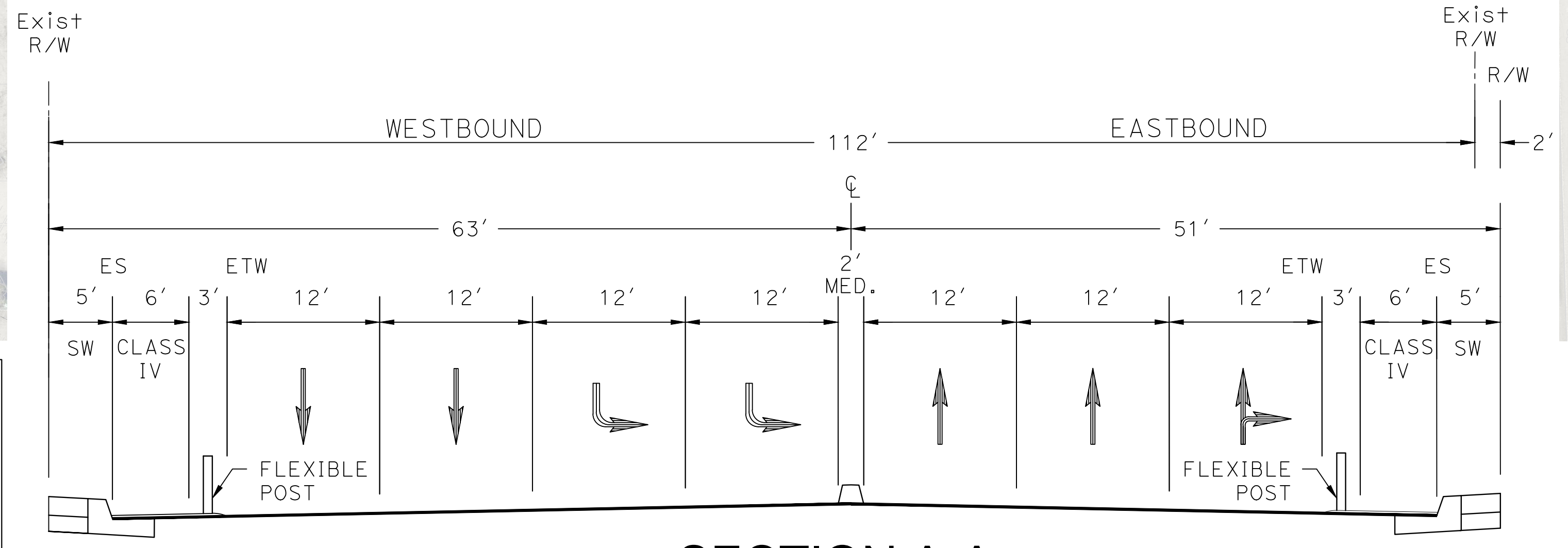
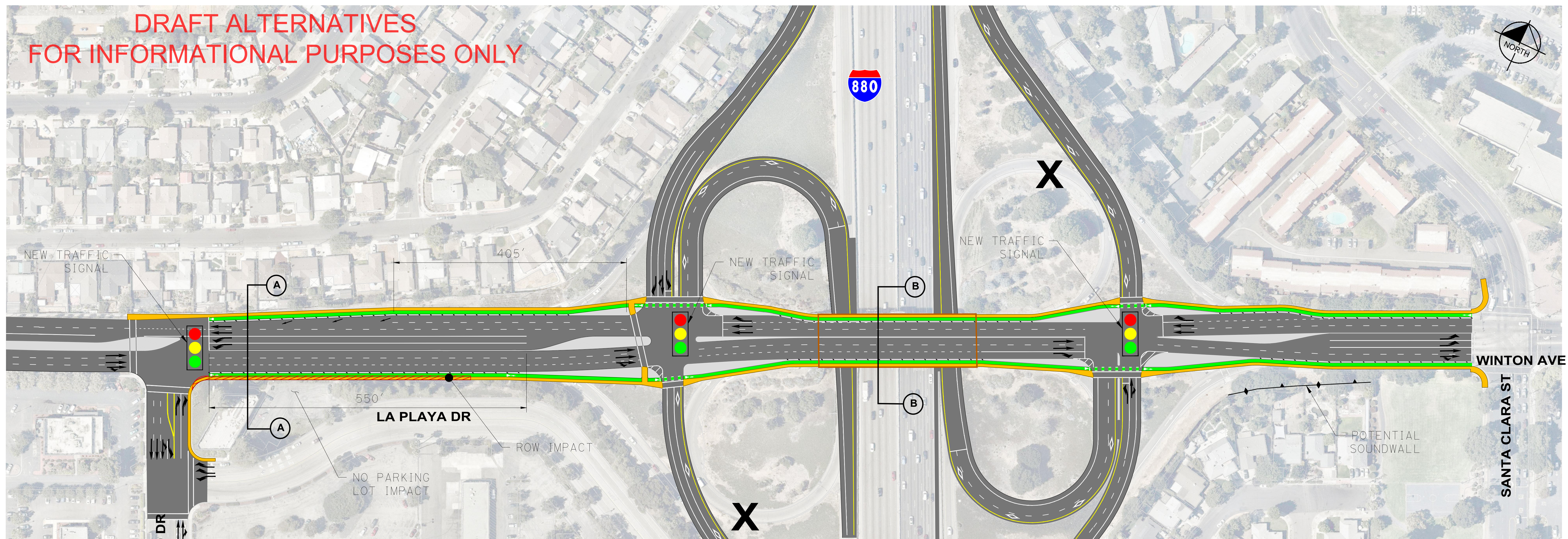
PRELIMINARY

I-880/ WINTON AVE INTERCHANGE DIRECT ACCESS TO LA PLAYA DRIVE

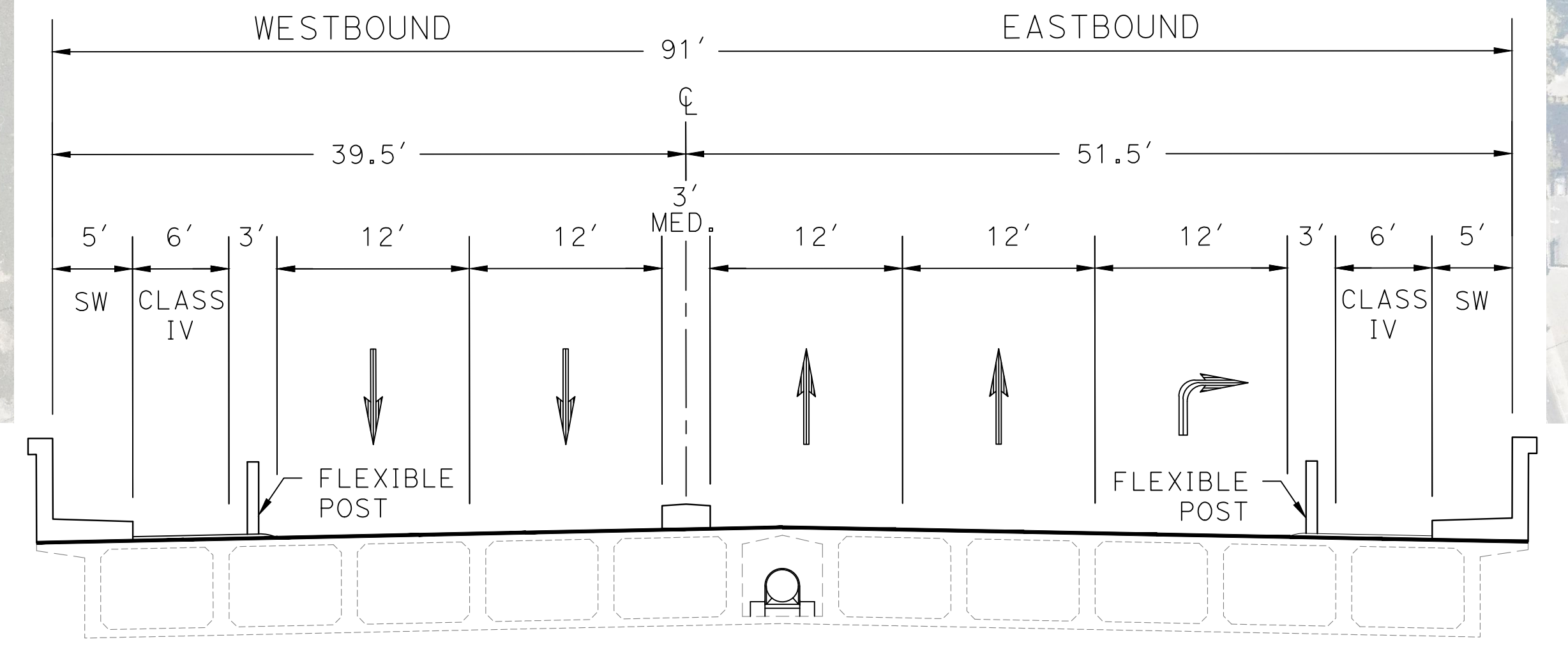


I-880 Interchange Improvements at Winton Avenue and A Street

DRAFT ALTERNATIVES FOR INFORMATIONAL PURPOSES ONLY



SECTION A-A

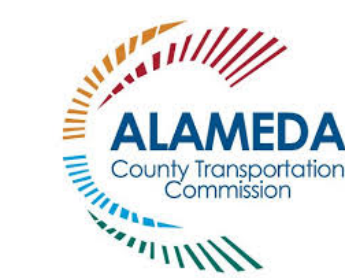


SECTION B-B

- LEGEND**
- SIDEWALK
 - BIKE FACILITY
 - NEW CONC. MEDIAN/ISLAND
 - PAVEMENT OVERLAY/WIDENING
 - RIGHT OF WAY IMPACT
 - EXISTING BRIDGE LIMITS
 - SOUNDWALL
 - X RAMPS TO BE DEMOLISHED

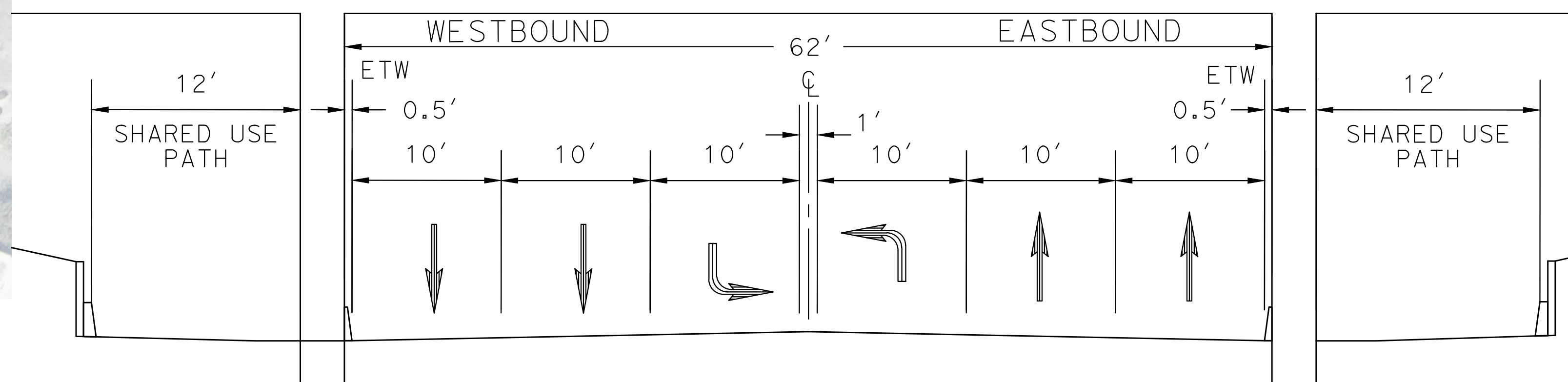
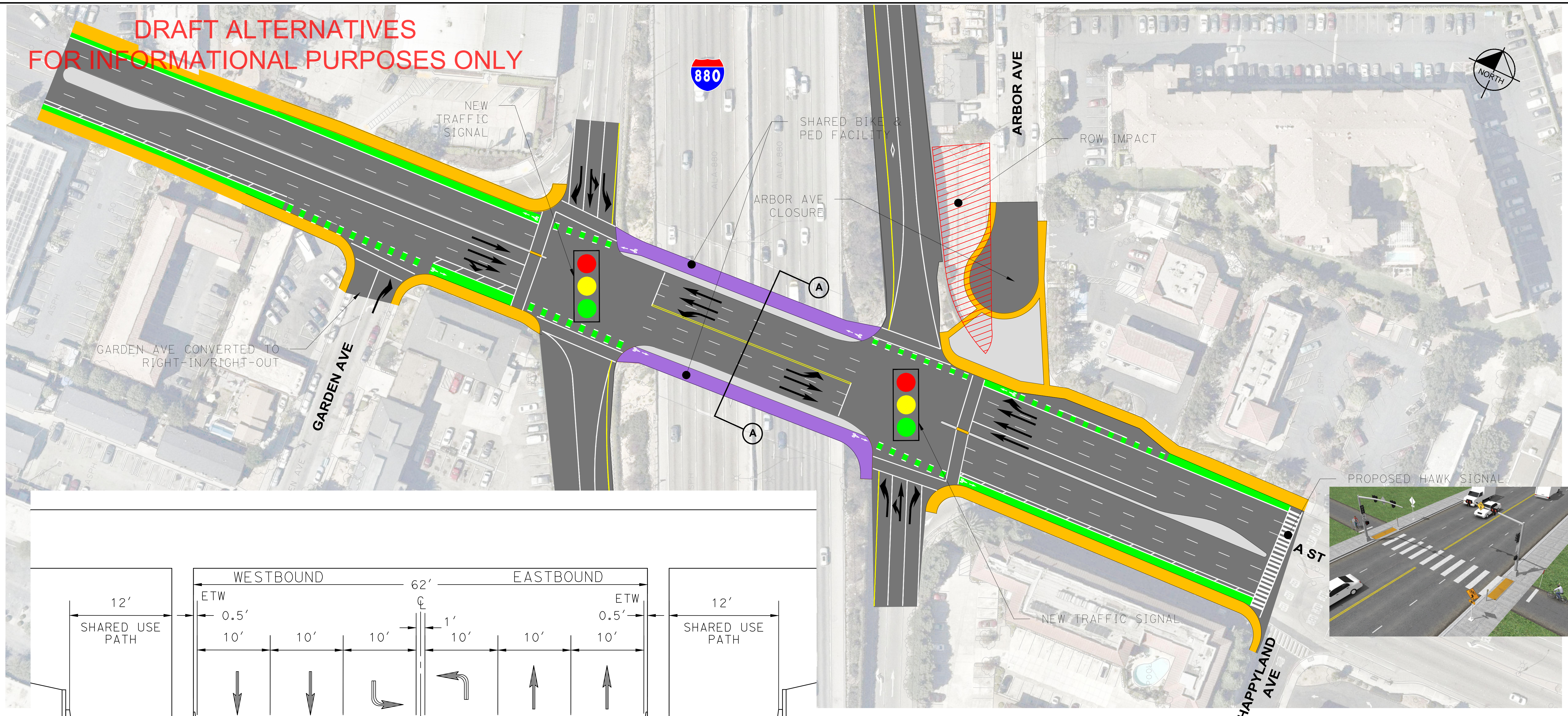
PRELIMINARY

I-880/ WINTON AVE INTERCHANGE DOUBLE LEFT AT SOUTHLAND DR



I-880 Interchange Improvements at Winton Avenue and A Street

DRAFT ALTERNATIVES FOR INFORMATIONAL PURPOSES ONLY



SECTION A-A

- LEGEND**
- SIDEWALK
 - BIKE FACILITY
 - SHARED BIKE & PED FACILITY
 - RIGHT OF WAY IMPACT
 - NEW CONC. MEDIAN/ISLAND

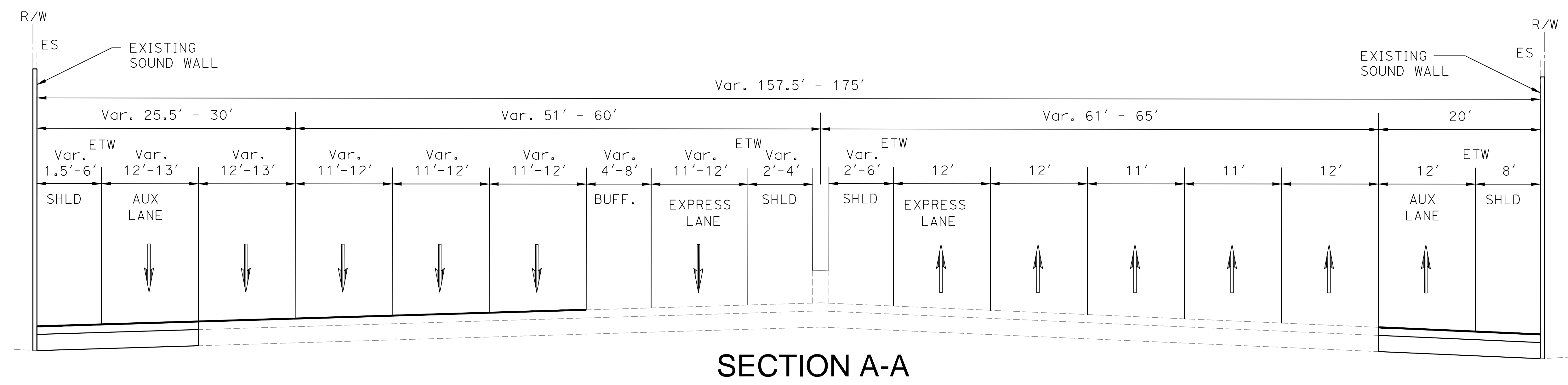
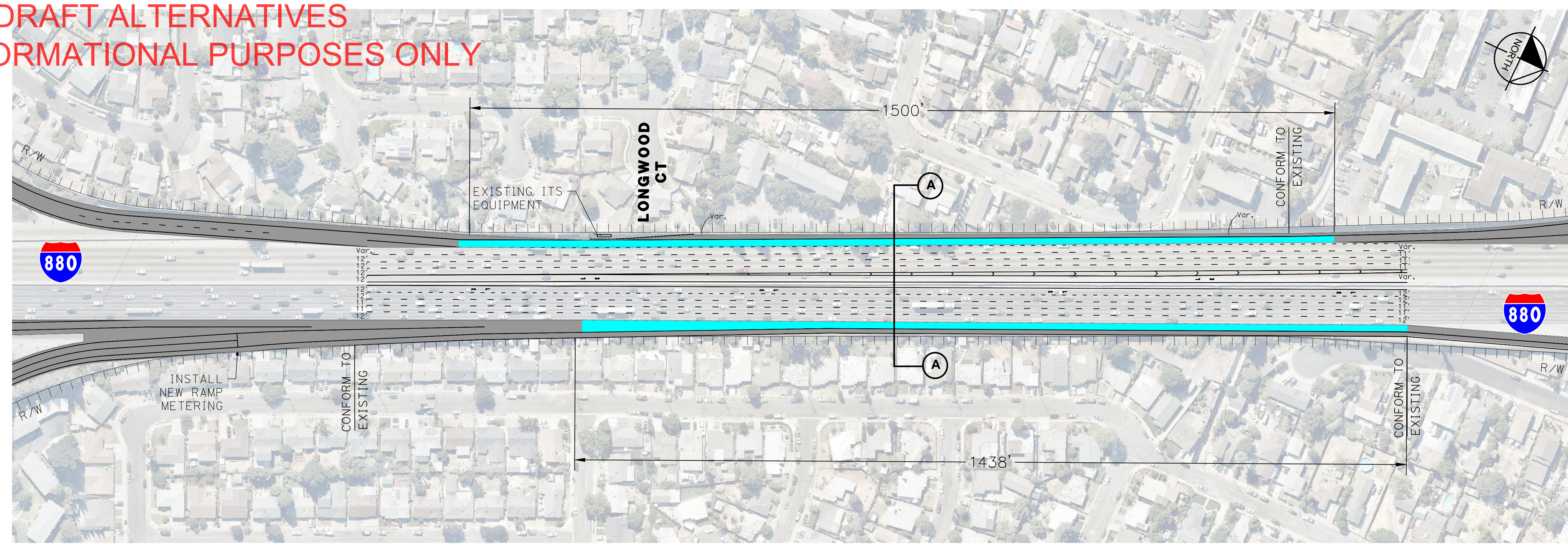
PRELIMINARY

**I-880/ A ST INTERCHANGE
SIX LANES
UNDER EXISTING BRIDGE STRUCTURE**



I-880 Interchange Improvements at Winton Avenue and A Street

DRAFT ALTERNATIVES FOR INFORMATIONAL PURPOSES ONLY



PRELIMINARY

I-880 MAINLINE IMPROVEMENTS NORTHBOUND AND SOUTHBOUND AUXILIARY LANES

LEGEND

- PAVEMENT OVERLAY/WIDENING
- PROPOSED AUXILIARY LANES
- CALTRANS (R/W)



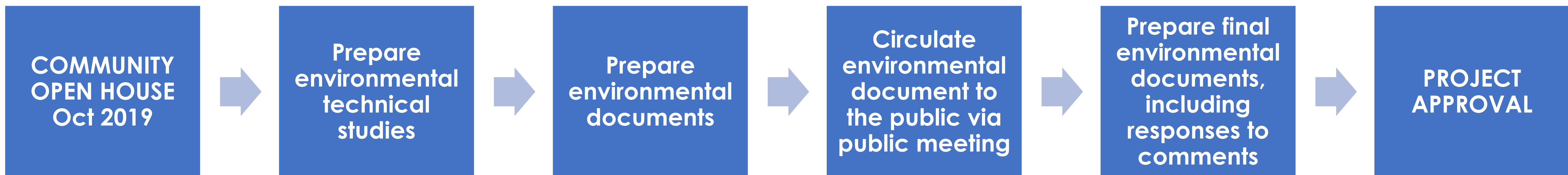
I-880 Interchange Improvements at Winton Avenue and A Street

Environmental Studies

The following environmental topics will be studied:

- Visual Resources
- Biological Resources
- Paleontological Resources
- Noise
- Community Impacts
- Traffic
- Air Quality and Greenhouse Gas
- Water Quality
- Cultural and Historical Resources
- Hazardous Materials
- Hydrology, Floodplains and Sea Level Rise Analysis

Environmental Review Process



FALL 2020

WINTER 2020

WINTER 2020

SPRING 2021

SUMMER 2021

*** Public input opportunity ***

*** Public input opportunity ***



I-880 Interchange Improvements at Winton Avenue and A Street

Stay Informed

For project information and updates, please visit the Alameda CTC website:

www.alamedactc.org/programs-projects/highway-improvement/i-880-winton/



Questions and comments can be submitted via email to
sshepard@alamedactc.org

Thank you for coming to tonight's Community Open House!



Kimley»Horn